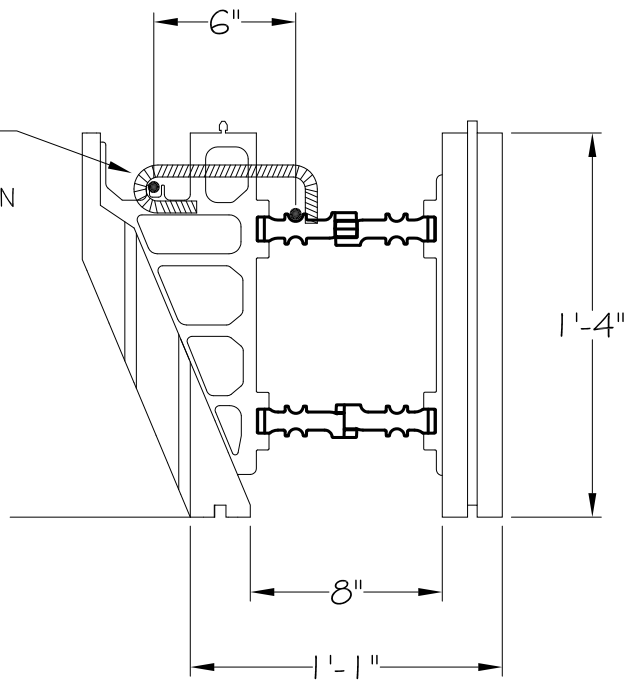


TYPICAL BRICKLEDGE  
 REINFORCING - STIRRUP  
 REQUIREMENTS VARY DEPENDING ON  
 LOAD - REFERENCE STRUCTURAL  
 SPECS.



1200 Industrial St., Reedsburg, WI 53959  
 Phone: (608) 524-5813 ■ Fax: (608) 524-2362  
 www.CELBLOX.com

**CELBLOX  
 8" BRICKLEDGE  
 REINFORCING**

<b>DATE: 2016</b>
<b>SCALE: 1 1/2" = 1'-0"</b>
<b>REVISION:</b>
<b>DRAWING NUMBER:</b>